

Connecting Routers To Share Resources

The Z-Systems pro line of digital detanglers can be interconnected in a way that will allow several routers to share signals with each other. Below, we explain how to do two of these interconnections.

First we will connect a z-32.32r and a z-16.16r in a single direction. In other words, signals will only go from the z-32.32r to the z-16.16r. In order to do this you would have to dedicate 16 output lines on the z-32.32r to go straight into the 16 input lines of the z-16.16r. To do this, connect two sets of cables to two of the 25 pin D-Sub connectors labeled “to xx-xx” on the back of the z-32.32r and connect the other end of these cables to the “from 1-8” and “from 9-16” D-Subs on the back of the z-16.16r. Then, to route signals to the z-16.16r, just route the input signal on the z-32.32r to one of the dedicated output signals on the z-32.32r and that signal could then be further routed from the input of the z-16.16r to one or more outputs on the z-16.16r. See figure 1 for more details.

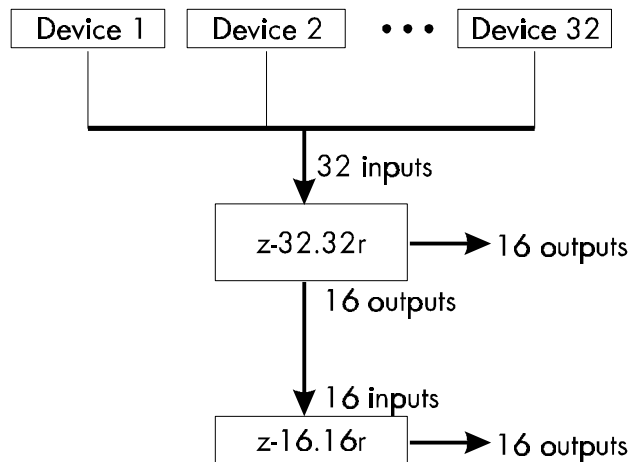


Figure 1 Connecting 16 z-32 outputs to the z-16

If instead you wanted to route in both directions between the z-32.32r and the z-16.16r, then do the following. We will assume that you wanted to be able to send 8 signals from the z-32.32r to the z-16.16r and another 8 back from the z-16.16r to the z-32.32r. In order to do this, you would only be able to connect 24 devices to the input of the z-32.32r. The other 8 input lines will be occupied by the 8 output lines coming from the z-16.16r. To do this, connect one set of cables to one of the 25 pin D-Sub connectors labeled “to xx-xx” on the back of the z-32.32r and connect the other end of this cables to the “from 1-8” or “from 9-16” D-Sub on the back of the z-16.16r. Then connect another set of cables to either the “to 1-8” or the “to 9-16” D-Sub on the back of the z-16.16r and connect the other end to the only remaining “from xx-xx” D-Sub on the back of the z-32.32r.

Using the methods described here, the user could set up any sort of inter-connection desired. These configurations could be used to share resources among several studios using z-systems routers.